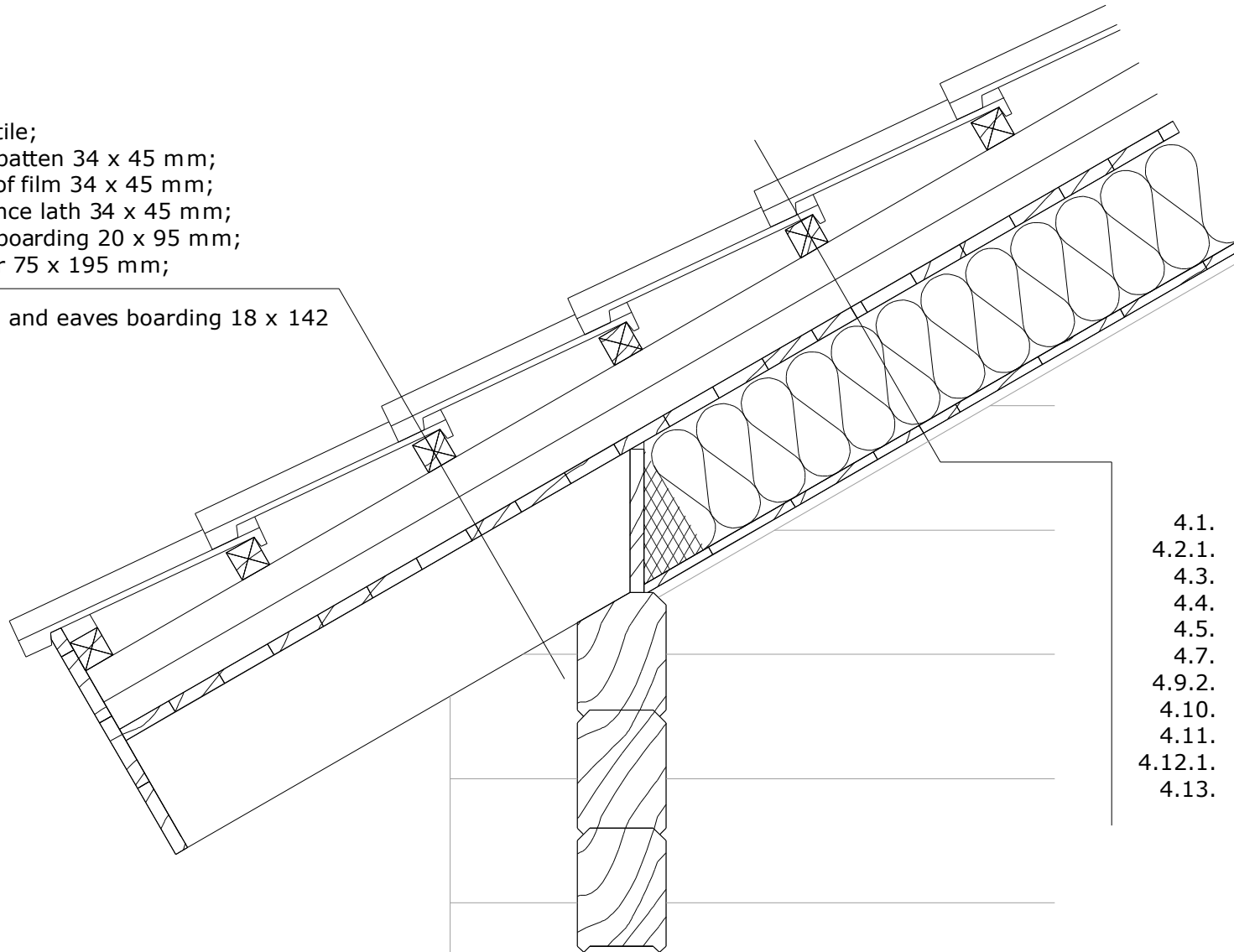


- 4.1. Roof tile;
- 4.2.1. Roof batten 34 x 45 mm;
- 4.3. Lath of film 34 x 45 mm;
- 4.5. Distance lath 34 x 45 mm;
- 4.7. Roof boarding 20 x 95 mm;
- 4.9.2. Rafter 75 x 195 mm;

4.14. Gable and eaves boarding 18 x 142 mm



- 4.1. Roof tile;
- 4.2.1. Roof batten 34 x 45 mm;
- 4.3. Lath of film 34 x 45 mm;
- 4.4. Film;
- 4.5. Distance lath 34 x 45 mm;
- 4.7. Roofboarding 20 x 95 mm;
- 4.9.2. Rafter 75 x 195 mm;
- 4.10. Insulation 200 mm;
- 4.11. Moisture/air barrier;
- 4.12.1. Ceiling panelling 15 x 120 mm;
- 4.13. Ceiling skirting 19 x 40 mm.

In case of ceramic roof tile the minimum roof angle is 22 degrees and in case of cement roof tile it is 14 degrees

Slate roof - standard

Position:

4

Scale:

1 : 10